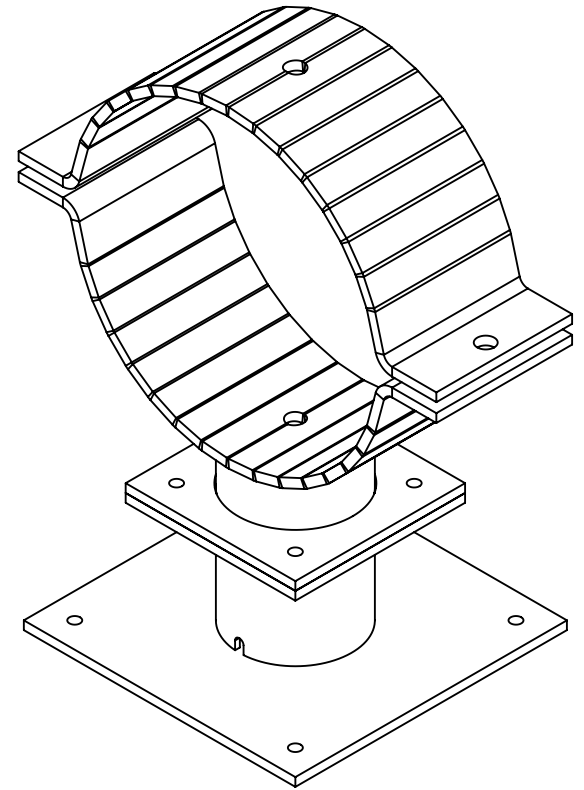
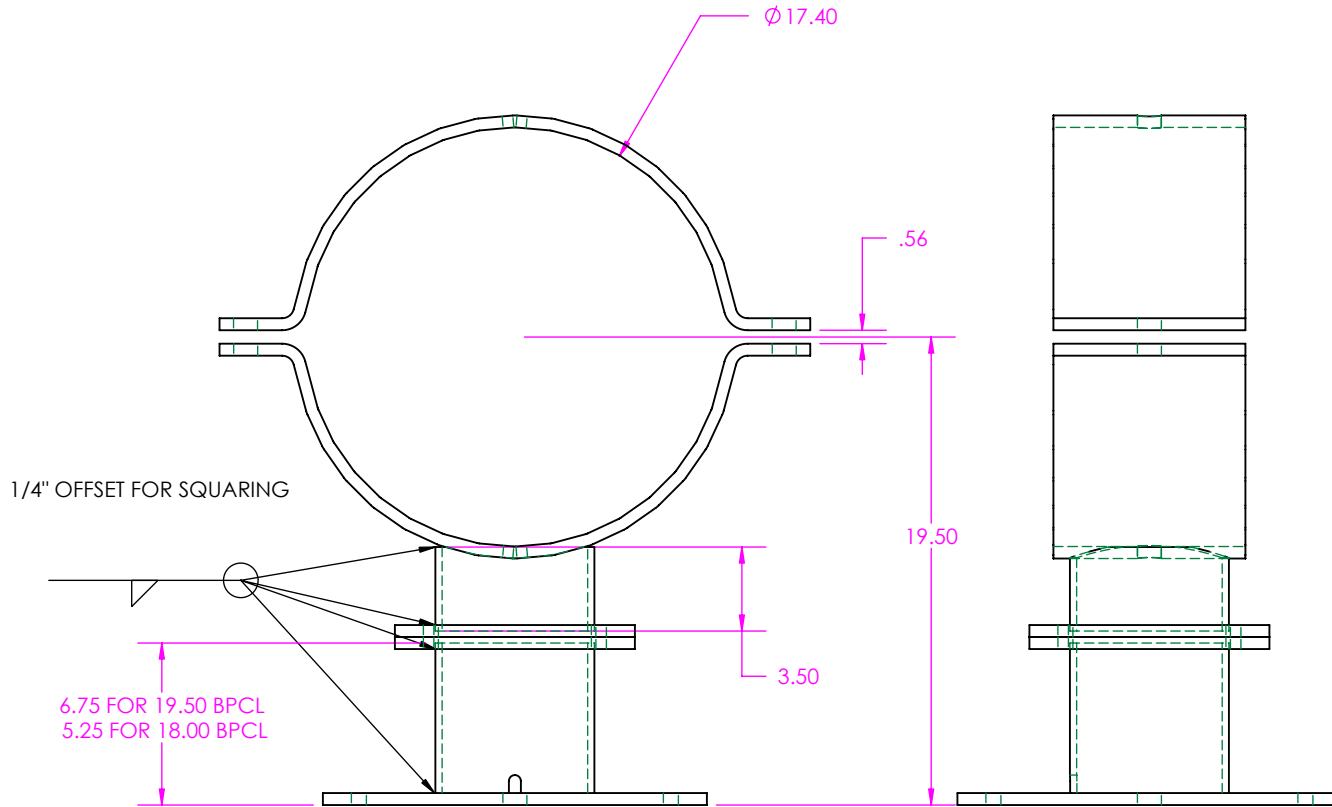



ITEM NO.	PART NUMBER	DESCRIPTION	QTY.
1	MD 3400-01	BASE PLATE	1
2	MD 3400-02-RB	LOWER STANTION	1
3	MD 3400-03-RB	SADDLE	2
4	MD 3400-04-RB	CENTER PLATE	2
5	MD 3400-05-RB	STANTION TOP	1

- CUT STANCHIONS (2 @ 6.75 FROM BOTTOM OF BASE PLATE, 2 @ 5.25 FROM BOTTOM OF BASE PLATE)
- BURN/CUT WEEP HOLE
- WELD ALL AROUND AS SHOWN



NOTE: USE EXISTING FABRICATED PARTS.
CUT 2 OF THE STANTIONS AT 6.00
AND 2 STANTIONS AT 4.50

DRAWN BY	SP	06-11-09	INITIAL DRAWING	COMMENTS:	PART NUMBER:	MD 3400-RB	
CHECKED	CB3	06-12-09	INITIAL APPROVAL	<COMMENTS>	DESCRIPTION:	16" DIP STAND OFF	
REVISION	NAME	DATE	DESCRIPTION		CUSTOMER:	MCDADE WATERWORKS	
-	-	-	-		MATERIAL:		
-	-	-	-		FINISH:	GRADE E	
-	-	-	-		COATING:	HOT GALV	
-	-	-	-		QUANTITY PER WELDMENT OR ASSEMBLY:	1	SIZE: A
-	-	-	-		BEND DEDUCTION:	<BD>	SCALE: 1:8
-	-	-	-				SHEET 1 OF 6