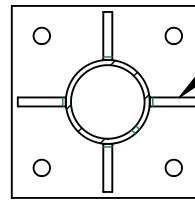
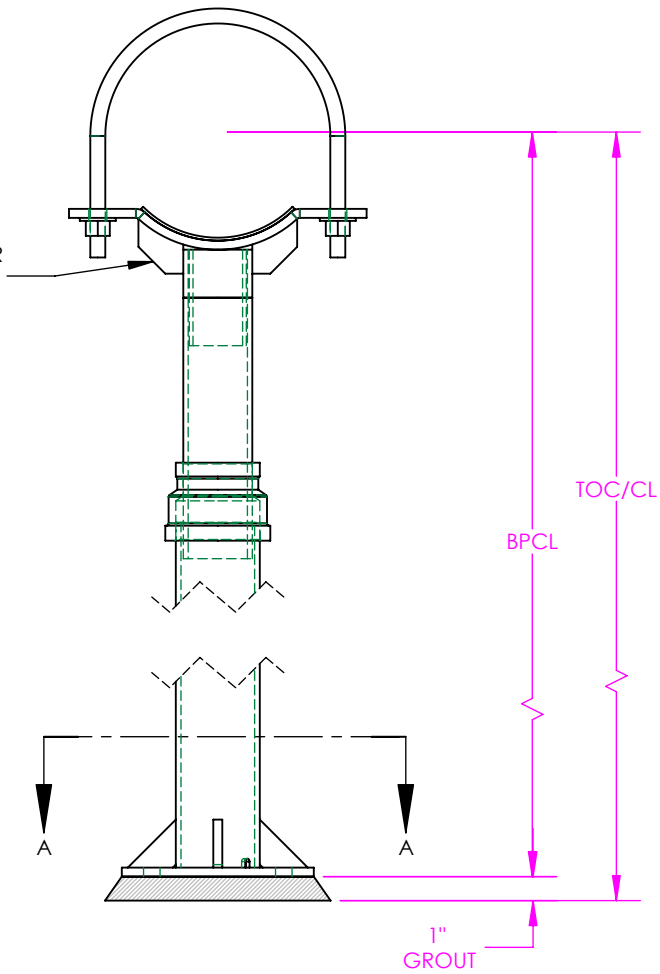


ADJUSTABLE PIPE SUPPORT ORDER LIST		
PIPE SIZE	BPCL	QTY

ITEM NO.	PART NUMBER	DESCRIPTION	QTY.
1	MD 3101-01	STAND	1
2	MD 3101-02	ADJUSTABLE SADDLE	1
3	MD 3101-03	BELL REDUCER	1
4	MD 3101-04	ADJUSTMENT PIPE	1
5	MD 3101-05	U-BOLT	1
6	WASHER	BLANK	2
7	NUT	BLANK	2
8	MD 3101-06	RUBBER PAD	1

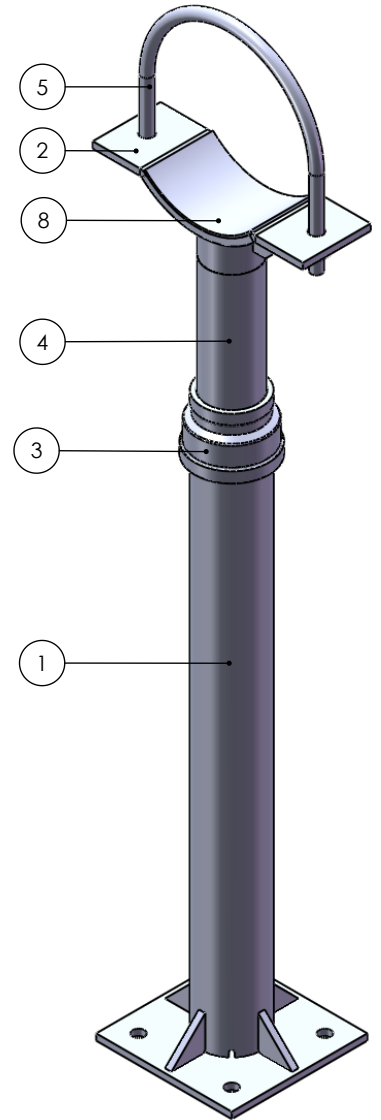
1. QC/ YELLOW TAG AND PACKAGE

GUSSETS ON SUPPORTS FOR DIP SIZES 8" - 36"



2" x 2" x 3/8" GUSSETS ON SUPPORTS OVER 6' TALL

SECTION A-A



CONFORMS TO:
MSS SP58, MSS SP69 AND FEDERAL SPECIFICATION A-A-1193 DOCUMENTATION

DRAWN BY	CB3	01-13-09	INITIAL DRAWING	COMMENTS: <COMMENTS>	PART NUMBER: MD 3101	
CHECKED	SP	01-16-09	INITIAL APPROVAL		DESCRIPTION: ADJUSTABLE PIPE SUPPORT 2-1/2" - 16"	
REVISION	NAME	DATE	DESCRIPTION		CUSTOMER: MCDADE WATERWORKS	
-	-	-	-		MATERIAL: 304 SS	
-	-	-	-		FINISH: GRADE E	
-	-	-	-	COATING: NONE	QUANTITY PER WELDMENT OR ASSEMBLY: 1	SIZE: A
-	-	-	-	BEND DEDUCTION: <BD>		SCALE: 1:8
						SHEET 1 OF 15